

CUTTING



MOUNTING



POLISHING



HARDNESS TESTING



# POLY'VAC

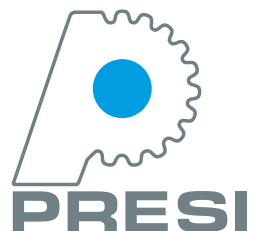
VACUUM IMPREGNATION SYSTEM



Vacuum impregnation system for optimal degassing and sample impregnation with casting resins.



A STRONG WORLDWIDE PRESENCE THROUGH SUBSIDIARIES AND MORE THAN 35 DISTRIBUTORS



# FUNCTIONALITIES

## REF. 53600

**Height with cover**  
340mm

**External diameter**  
340mm

**Internal diameter**  
250mm

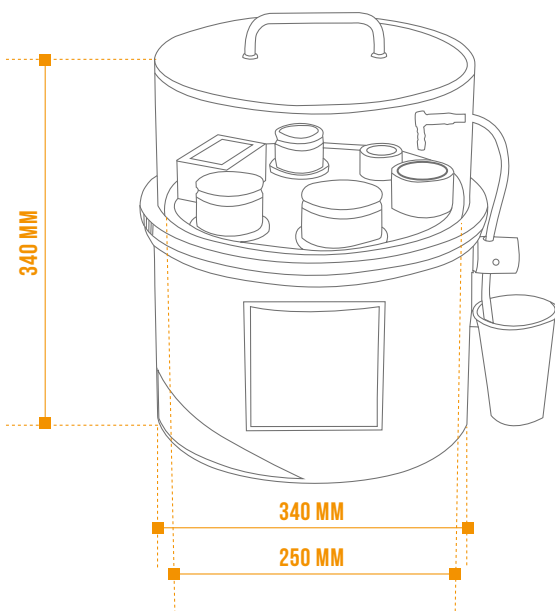
**Weight**  
10kg

**Poly'Vac kit includes:**  
50 protection sheets  
50 pipes  
50 plastic nozzles

**Conformity**  
EC

### Vacuum mounting system

It provides for improved resin impregnation of porous materials and for improved removal of trapped air bubbles in the resin mount. It is best used with MA2+ and IP resins. The device is programmable and controlled through a touch screen with options for setting cycle time (timer from one minute to several hours) and various levels of vacuum. It includes a resin dispenser.



With an intuitive easy to use menu via the colour touch control screen, Poly'Vac is simple to set up and use with all main functions readily accessible. Real time display of cycle time and vacuum level. Memorisation of user defined programmes. Programmable pressure and time cycles.

# FUNCTIONING

## PRECISE

The vacuum level is fully controlled and programmable allowing user defined degassing and impregnation cycles to be set.

## ERGONOMIC

The ergonomic design of Poly'Vac provides the vacuum pump, casting chamber, turntable and resin cup older in a single compact unit.

## INNOVATIVE

Innovation in cold mounting, Poly'Vac vacuum impregnation provides optimal degassing of the resin and penetration of porous or friable samples for improved stability.



# CHARACTERISTICS

Vacuum level	Up to - 90 Kpa
Power supply	220 V monophased 50/60 Hz - 110 V on request
Conformity	EC

# ACCESSORIES

### Accessories for cold mounting

#### 04111

Set of 100 holding blue clips (plastic)

#### 04900

Set of 100 polypropylene plastic cups

#### 04024

Box of 5 graduated measuring cups (250 cc) with stirring sticks

#### 04112

Set of 100 holding (multi-colour) clips

### Rubber silicone mounting moulds

#### 04021

Silicone Rubber Ø 25mm

#### 04022

Silicone Rubber Ø 30mm

#### 04023

Silicone Rubber Ø 40mm

#### 04025

Rectangular 55 x 30 x 25mm

#### 04026

Rectangular 70 x 40 x 25mm

#### 04027

Rectangular 100 x 50 x 25mm

### Polyethylene mounting moulds

#### 04028

Polyethylene Ø 25mm

#### 04029

Polyethylene Ø 30mm

#### 04030

Polyethylene Ø 40mm

### Teflon (PTFE) mounting moulds

#### 04016

Teflon (PTFE) Ø 20mm

#### 04017

Teflon (PTFE) Ø 25mm

#### 04036

Teflon (PTFE) Ø 25.4mm

#### 04018

Teflon (PTFE) Ø 30mm

#### 04037

Teflon (PTFE) Ø 31.7mm

#### 04038

Teflon (PTFE) Ø 38.1mm

#### 04019

Teflon (PTFE) Ø 40mm

#### 04020

Teflon (PTFE) Ø 50mm

### KM mounting moulds

#### 04048

Kit 50 KM rings + 5 bases ø 25mm

#### 04049

Kit 50 KM rings + 5 bases ø 30mm

#### 04050

Kit 50 KM rings + 5 bases ø 40mm

### KM moulds reloads

#### 04045

50 rings\* ø 25mm

#### 04046

50 rings\* ø 30mm

#### 04047

50 rings\* ø 40mm

\* For use with KM mould bases

### Additional accessories

#### 53605

50 protection sheets

#### 53606

Pipes and plastic nozzles (set of 50)



REF. 04111



REF. 04900



REF. 04024



REF. 04112



REF. 04022



REF. 04029



REF. 04018



MOULE KM

# CONSUMABLES

## ● IP EPOXY RESINS

REF.	DESIGNATION	USE	CHARACTERISTICS
04200	Pack 1 kg powder + 100 cc catalyst delivered with 10 plastic cups, 10 stirring sticks and 10 dosing syringes.	Porous materials (e.g. ceramics), observation of edges and coatings, electronic components etc	Polymerisation time: 8 at 10h (3h at 50°C) Shrinkage: very low Exothermic peak: 30° C Hardness: 83 shore D Impregnation ability: very good Proportion: 10% catalyst
04201	Bottle 100 cc catalyst		
04202	Bottle 1 kg resin		

## ● MA2+ EPOXY RESINS

REF.	DESIGNATION	USE	CHARACTERISTICS
04040	Pack 1 kg powder + 100 cc catalyst delivered with 10 plastic cups, 10 stirring sticks and 10 dosing syringes.	Observation of edges, temperature sensitive materials, polymers, visual control of material removal	Polymerisation time: 12h Shrinkage: very low Exothermic peak: 30° C Hardness: 62 shore D Proportion: 10% catalyst
04009	Bottle 100 cc catalyst		
04041	Bottle 1 kg resin		



# PRESI IS ALSO...

### CUTTING



Mecatome ST 310

### MOUNTING



Mecapress 3

### POLISHING



Mecatech 334

### HARDNESS TESTING



Microtech MX1

### CONSUMABLES



Resins



FIND OUT MORE AT  
**WWW.PRESI.COM**

